

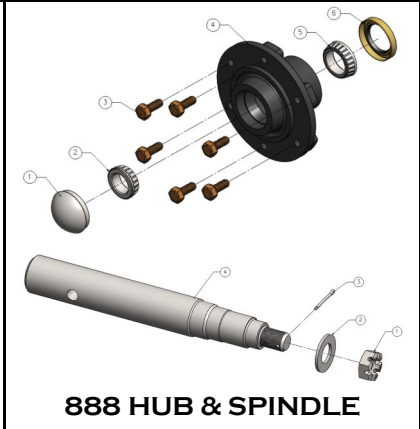
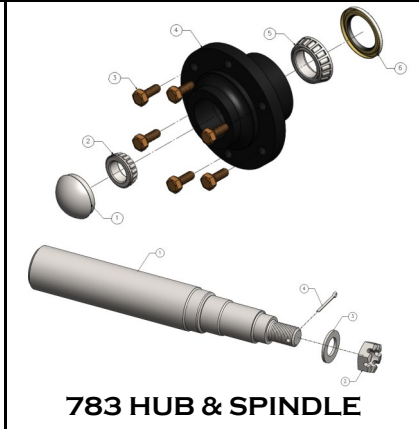
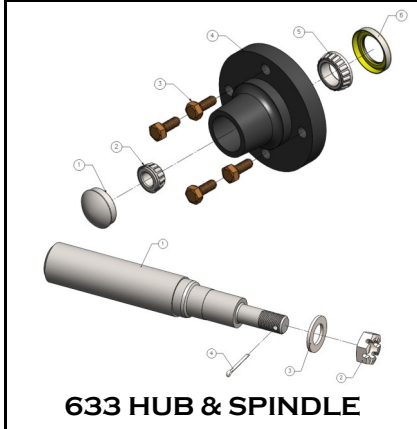
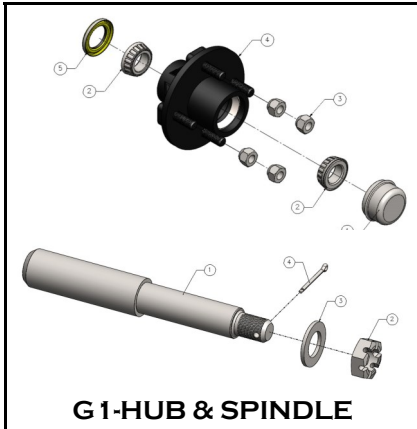


# NORWEST

## MANUFACTURING

71 SOUTH 215 WEST-RUPERT, ID- PHONE: (208) 436-1770 - FAX: (208) 436-1776

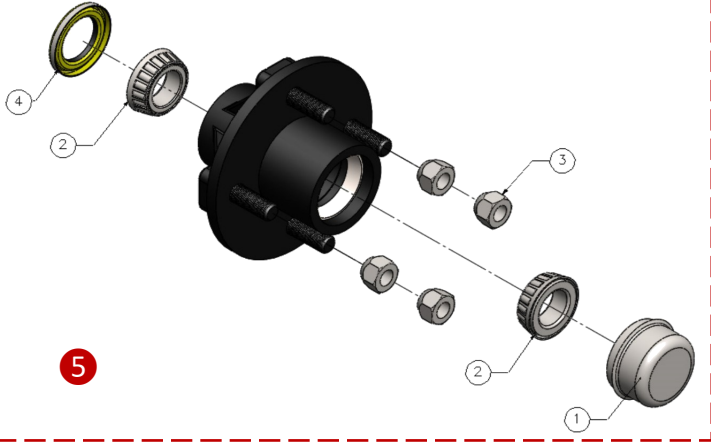
### SECTION 200 -40 HUBS & SPINDLES



4 on 4" RV  
HUB & SPINDLE

# HUBS & SPINDLES

## G1-HUB & SPINDLE COMPLETE



Fits: G1-480/570/950 Gauge Wheels

### G1-HUB ASSEMBLY

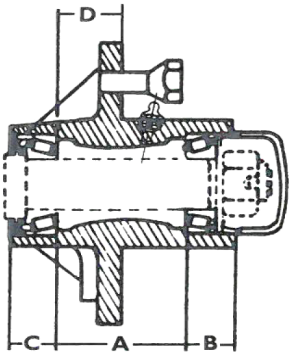
4 BOLT ON 4" BOLT CENTERS; 2.5" PILOT  
1250 LB. CAPACITY

REF. #	NORWEST PART #	INDUSTRY STANDARD #	DESCRIPTION	REQ. PCS
1	909900	1505	DUST CAP	1
2	910254	L44643	INNER/OUTER BEARING	2
3	912919	912918	LUG NUT	4
4	906282	12437	SEAL	1

5 COMPLETE HUB ASSEMBLY: G1-HUB

	MODEL #	HUB COMPLETE	CAPACITY (LBS.)	HUB CUPS (RACES)	INNER CUP (RACE)	OUTER CUP (RACE)	INNER CONE (BEARING)	INNER BORE DIAMETER	OUTER CONE (BEARING)	OUTER BORE DIAMETER	HUB CAP	LUG NUT	SEAL
HUB	440	280306 G1-HUB	1250	280301 (KIT)	L44610 910250	L44610 910250	L44643 910254	1.00"	L44643 910254	1.00"	1505 909900	912918	12437 906282

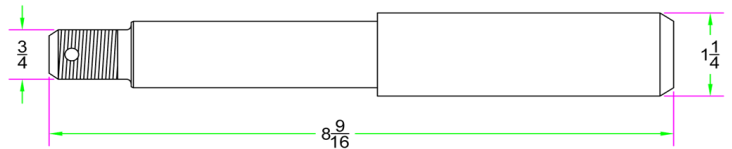
HUB CAPACITY BASED ON 0" OFFSET



HUB SPECS	
A	B
2.36"	0.79"
C	D
0.84"	1.34"

### SPINDLE SPECS

Thread Diameter	Threads per Inch	Overall Spindle Length
3/4"	16 (Fine Thread)	8-9/16"



### G1-SP ASSEMBLY

MATERIAL DIAMETER: 1-1/4"; OVERALL LENGTH: 8-9/16"  
FITS **INDUSTRY** HUB: 440; FITS **NORWEST** HUB: G1-HUB

REF. #	NORWEST PART #	INDUSTRY STANDARD #	DESCRIPTION	REQ. PCS
1	N/A	280768	SPINDLE	1
2	912953	912953	CASTLE NUT	1
3	913608	913608	FLAT WASHER	1
4	905936	905936	COTTER PIN	1

5 COMPLETE SPINDLE ASSEMBLY: G1-SP

	FITS INDUSTRY HUB	MATERIAL DIAMETER	COMPLETE SPINDLE KIT	SPINDLE ONLY	FLAT WASHER	CASTLE NUT	COTTER PIN	SEAL DIAMETER
SPINDLE	440/441	1-1/4"	280768 G1-SP	280768	913608	912953	905936	1.250"

www.norwest-mfg.com

**4 on 5" AG  
HUBS & SPINDLES**

## 633 HUB & SPINDLE COMPLETE

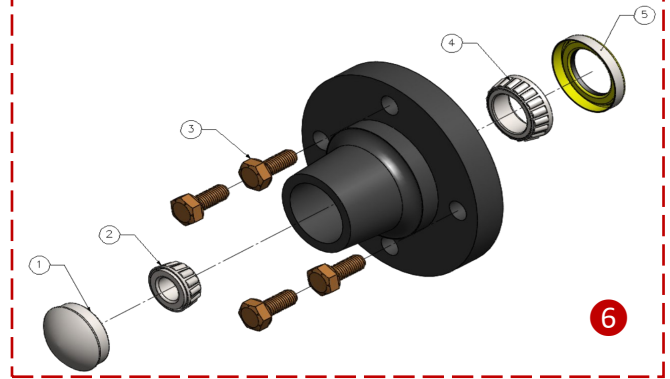
*Fits: Single Leg Coupler Assemblies, Vine Cutters, Fluted Coupler Assemblies, Track Fillers & V-Rubber Gauge Wheels*

### GQ-633H ASSEMBLY

**4 BOLT ON 5" BOLT CENTERS; 3.62" PILOT  
1500 LB. CAPACITY**

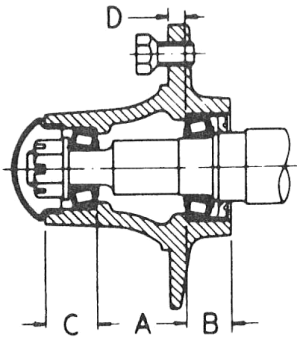
REF. #	NORWEST PART #	INDUSTRY STANDARD #	DESCRIPTION	REQ. PCS
1	909911A	1527	DUST CAP	1
2	910260	LM11949	OUTER BEARING	1
3	943549	943549	LUG BOLTS	4
4	910259	LM67048	INNER BEARING	1
5	906296	14975	SEAL	1

**6 COMPLETE HUB ASSEMBLY: GQ-633H**



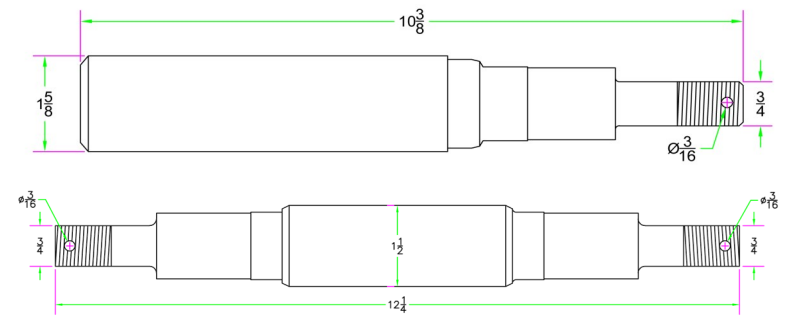
HUB	MODEL #	HUB COMPLETE	CAPACITY (LBS.)	HUB CUPS (RACES)	INNER CUP (RACE)	OUTER CUP (RACE)	INNER CONE (BEARING)	INNER BORE DIAM.	OUTER CONE (BEARING)	OUTER BORE DIAM.	HUB CAP	LUG NUT	SEAL
633	280500	GQ-633H	1500	280501 (KIT)	LM67010 910257	LM11910 910258	LM67048 910259	1.25"	LM11949 910260	0.75"	1527 909911	943549	14975 906296

**HUB CAPACITY BASED ON .38" NEGATIVE OFFSET**



HUB SPECS	
A	B
2.00"	1.00"
C	D
1.12"	0.38"

SPINDLE SPECS		
Thread Diameter	Threads per Inch	Overall Spindle Length
3/4"	18 (Fine Thread)	10-3/8"



SPINDLE SPECS		
Thread Diameter	Threads per Inch	Overall Spindle Length
3/4"	18 (Fine Thread)	12-1/4"

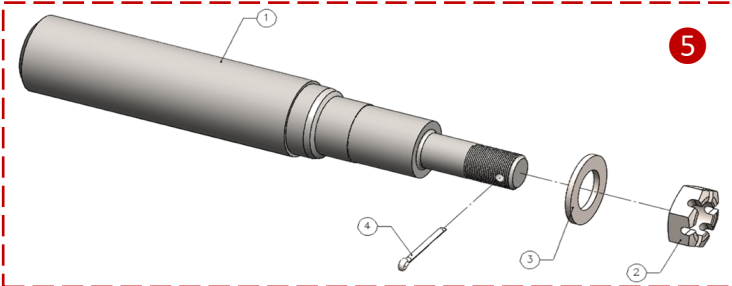
*For use with Norwest Track Filler Guide Wheel Assemblies*

### GQ-633S ASSEMBLY

**MATERIAL DIAMETER: 1-5/8"; OVERALL LENGTH: 10-3/8"  
FITS INDUSTRY HUB: 633; FITS NORWEST HUB: GQ-633H**

REF. #	NORWEST PART #	INDUSTRY STANDARD #	DESCRIPTION	REQ. PCS
1	N/A	280700	SPINDLE	1
2	912954	912954	CASTLE NUT	1
3	913608	913608	FLAT WASHER	1
4	905936	905936	COTTER PIN	1

**5 COMPLETE SPINDLE ASSEMBLY: GQ-633S**

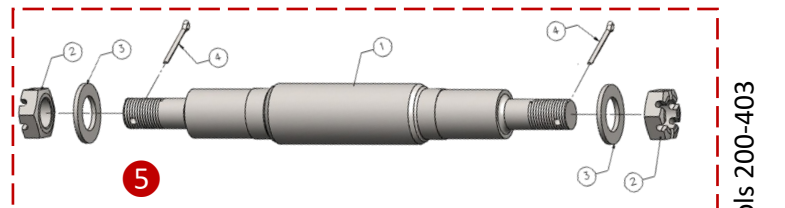


### GQ-633SD ASSEMBLY

**MATERIAL DIAMETER: 1-1/2"; OVERALL LENGTH: 12-1/4"  
FITS INDUSTRY HUB: 633; FITS NORWEST HUB: GQ-633H**

REF. #	NORWEST PART #	INDUSTRY STANDARD #	DESCRIPTION	REQ. PCS
1	N/A	N/A	SPINDLE	1
2	912954	912954	CASTLE NUT	2
3	913608	913608	FLAT WASHER	2
4	905936	905936	COTTER PIN	2

**5 COMPLETE SPINDLE ASSEMBLY: GQ-633SD**



Information in the table below pertains to spindles:  
**GQ-633S & GQ-633SD**  
*Except where otherwise indicated*

	FITS INDUSTRY HUB	MATERIAL DIAMETER	COMPLETE SPINDLE KIT	SPINDLE ONLY	FLAT WASHER	CASTLE NUT	COTTER PIN	SEAL DIAMETER
SPINDLE	633	1-5/8"	280741 (Single Only) GQ-633S / GQ-633SD	280700 N/A in Double End Spindle	913608	912954	905936	1.50"



5 on 5-1/2" AG  
HUBS & SPINDLES

# HUBS & SPINDLES

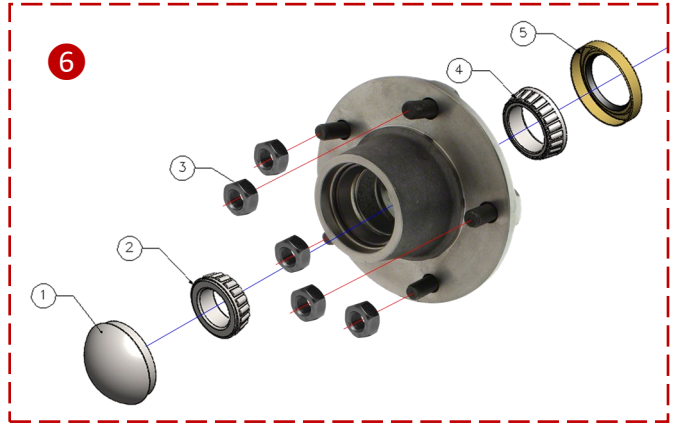
## 517 HUB & SPINDLE COMPLETE

### GA-517H ASSEMBLY

5 BOLT ON 5.5" BOLT CENTERS; 4" PILOT  
2760 LB. CAPACITY

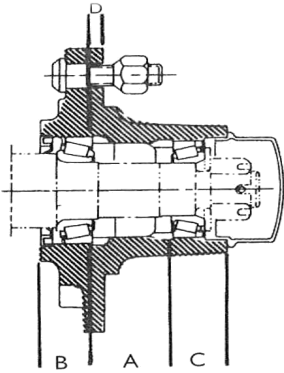
REF. #	NORWEST PART #	INDUSTRY STANDARD #	DESCRIPTION	REQ. PCS
1	909905	1604	DUST CAP	1
2	910259	LM67048	OUTER BEARING	1
3	912919	912919	LUG NUTS	5
4	910262	LM48548	INNER BEARING	1
5	906295	17617	SEAL	1

6 COMPLETE HUB ASSEMBLY: GA-517H



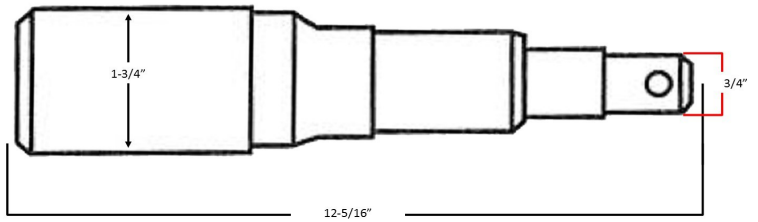
	MODEL #	HUB COMPLETE	CAPACITY (LBS.)	HUB CUPS (RACES)	INNER CUP (RACE)	OUTER CUP (RACE)	INNER CONE (BEARING)	INNER BORE DIAM.	OUTER CONE (BEARING)	OUTER BORE DIAM.	HUB CAP	LUG NUT	SEAL
HUB	517	289066 GA-517H	2760	289067 (KIT)	LM48510 910261	LM67010 910257	LM48548 910259	1.38"	LM67048 910259	1.25"	1604 909905	912919	17617 906295

HUB CAPACITY BASED ON .25" NEGATIVE OFFSET



HUB SPECS	
A	B
1.56"	1.00"
C	D
1.06"	0.22"

SPINDLE SPECS		
Thread Diameter	Threads per Inch	Overall Spindle Length
3/4"	16 (Fine Thread)	12-5/16"



### GA-517S ASSEMBLY

MATERIAL DIAMETER: 1-3/4"; OVERALL LENGTH: 12-5/16"  
FITS **INDUSTRY** HUB: 517; FITS **NORWEST** HUB: GA-517H

REF. #	NORWEST PART #	INDUSTRY STANDARD #	DESCRIPTION	REQ. PCS
1	N/A	281210	SPINDLE	1
2	912953	912953	CASTLE NUT	1
3	913616	913616	FLAT WASHER	1
4	905936	905936	COTTER PIN	1

5 COMPLETE SPINDLE ASSEMBLY: GA-517S

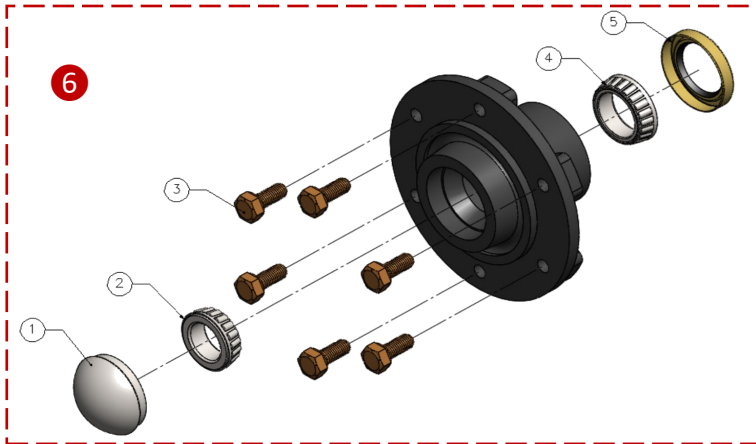
	FITS INDUSTRY HUB	MATERIAL DIAMETER	COMPLETE SPINDLE KIT	SPINDLE ONLY	FLAT WASHER	CASTLE NUT	COTTER PIN	SEAL DIAMETER
SPINDLE	517	1-3/4"	281301 GA-517S	281210	913616	912953	905936	1.750"

www.norwest-mfg.com

**6 on 6" AG  
HUBS & SPINDLES**

# HUBS & SPINDLES

## 888 HUB & SPINDLE COMPLETE



**Fits: Gauge Wheels, Guide Wheels, Vine Cutters, Stabilizer Coulters & HD Track Filler Legs**

### GQ-888H ASSEMBLY

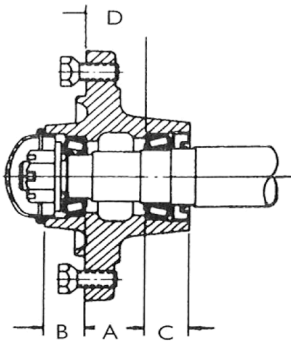
**6 BOLT ON 6" BOLT CENTERS; 4.62" PILOT  
3560 LB. CAPACITY**

REF. #	NORWEST PART #	INDUSTRY STANDARD #	DESCRIPTION	REQ. PCS
1	909905	1604	DUST CAP	1
2	910259	LM67048	OUTER BEARING	1
3	943549	943549	LUG BOLTS	6
4	910264	JL69349	INNER BEARING	1
5	906284	16289	SEAL	1

**6 COMPLETE HUB ASSEMBLY: GQ-888H**

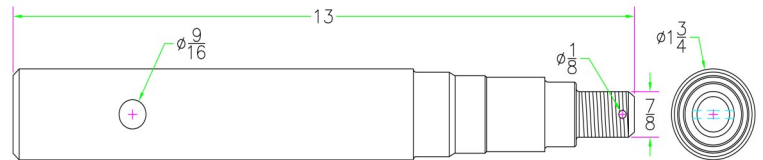
HUB	MODEL #	HUB COMPLETE	CAPACITY (LBS.)	HUB CUPS (RACES)	INNER CUP (RACE)	OUTER CUP (RACE)	INNER CONE (BEARING)	INNER BORE DIAMETER	OUTER CONE (BEARING)	OUTER BORE DIAMETER	HUB CAP	LUG NUT	SEAL
888	280550	GQ-888H	3560	280551 (KIT)	JL69310 910263	LM67010 910257	JL69349 910264	1.50"	LM67048 910259	1.25"	1604 909905	943549	16289 906284

**HUB CAPACITY BASED ON 1.12" POSITIVE OFFSET**



HUB SPECS	
A	B
1.53"	1.09"
C	D
1.00"	1.53"

SPINDLE SPECS		
Thread Diameter	Threads per Inch	Overall Spindle Length
7/8"	14 (Fine Thread)	13"

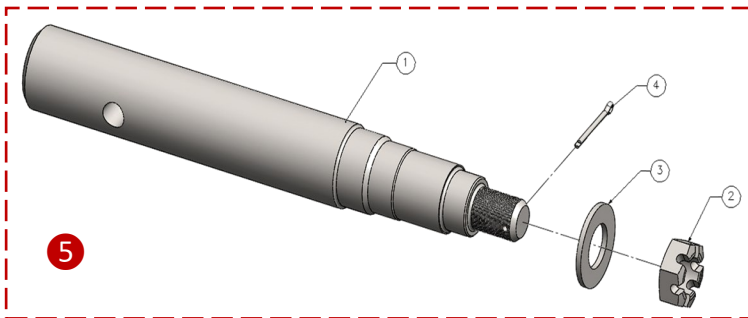


### GQ-888S ASSEMBLY

**MATERIAL DIAMETER: 1-3/4"; OVERALL LENGTH: 13"  
FITS INDUSTRY HUB: 888; FITS NORWEST HUB: GQ-888H**

REF. #	NORWEST PART #	INDUSTRY STANDARD #	DESCRIPTION	REQ. PCS
1	N/A	280720	SPINDLE	1
2	912952	912952	CASTLE NUT	1
3	913683	913607	FLAT WASHER	1
4	905936	905936	COTTER PIN	1

**5 COMPLETE SPINDLE ASSEMBLY: GQ-888S**



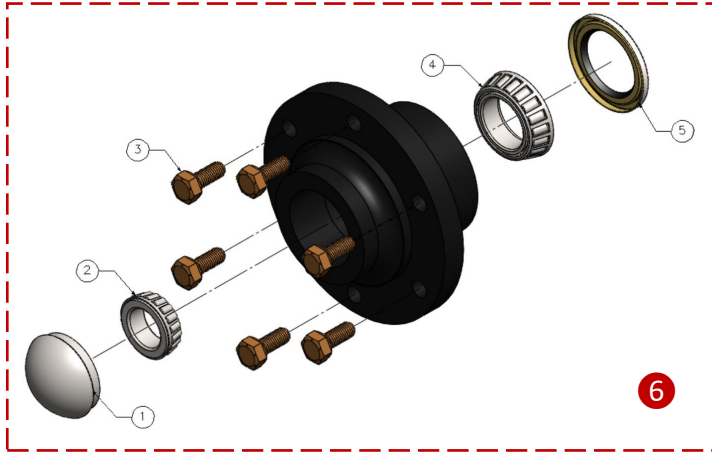
	FITS INDUSTRY HUB	MATERIAL DIAMETER	COMPLETE SPINDLE KIT	SPINDLE ONLY	FLAT WASHER	CASTLE NUT	COTTER PIN	SEAL DIAMETER
SPINDLE	888	1-3/4"	280743 GQ-888S	280720	913683	912952	905936	1.625"

[www.norwest-mfg.com](http://www.norwest-mfg.com)

6 on 6" AG  
HUBS & SPINDLES

# HUBS & SPINDLES

## 783 HUB & SPINDLE COMPLETE



Fits: Welded Steel Wheel Assembly  
Norwest Part # GRS-10

### GQ-783H ASSEMBLY

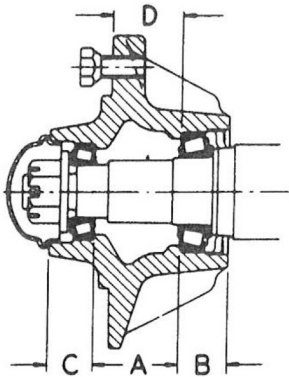
6 BOLT ON 6" BOLT CENTERS; 4.62" PILOT  
4570LB. CAPACITY

REF. #	NORWEST PART #	INDUSTRY STANDARD #	DESCRIPTION	REQ. PCS
1	909905	1604	DUST CAP	1
2	910259	LM67048	OUTER BEARING	1
3	943549	943549	LUG BOLTS	6
4	910273	LM501349	INNER BEARING	1
5	906493	18302	SEAL	1

6 COMPLETE HUB ASSEMBLY: GQ-783H

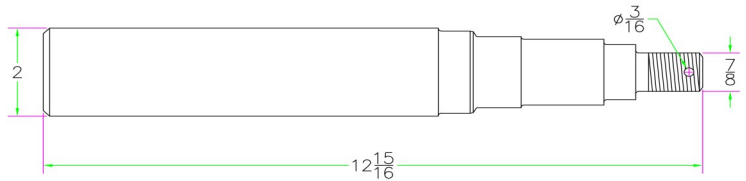
	MODEL #	HUB COMPLETE	CAPACITY (LBS.)	HUB CUPS (RACES)	INNER CUP (RACE)	OUTER CUP (RACE)	INNER CONE (BEARING)	INNER BORE DIAMETER	OUTER CONE (BEARING)	OUTER BORE DIAMETER	HUB CAP	LUG NUT	SEAL
HUB	783	289010 GQ-783H	4570	289011 (KIT)	LM501310 910272	LM67010 910257	LM501349 910273	1.62"	LM67048 910259	1.25"	1604 909905	943549	18302 906493

HUB CAPACITY BASED ON 1.12" POSITIVE OFFSET



HUB SPECS	
A	B
2.00"	1.13"
C	D
1.06"	1.62"

SPINDLE SPECS		
Thread Diameter	Threads per Inch	Overall Spindle Length
7/8"	14 (Fine Thread)	12-15/16"

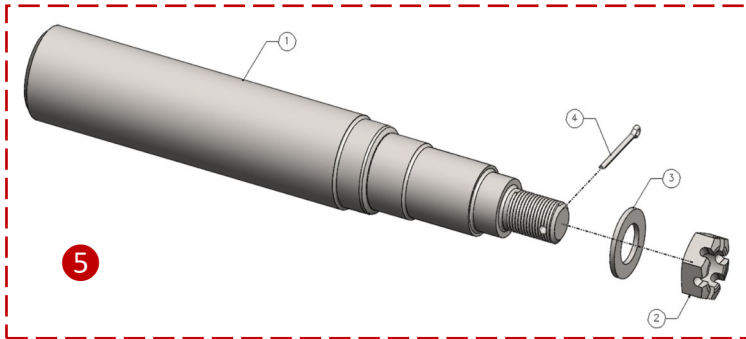


### GQ-783S ASSEMBLY

MATERIAL DIAMETER: 2"; OVERALL LENGTH: 12-15/16"  
FITS **INDUSTRY** HUB: 783; FITS **NORWEST** HUB: GQ-783H

REF. #	NORWEST PART #	INDUSTRY STANDARD #	DESCRIPTION	REQ. PCS
1	N/A	289510	SPINDLE	1
2	912952	912952	CASTLE NUT	1
3	913607	913607	FLAT WASHER	1
4	905936	905936	COTTER PIN	1

5 COMPLETE SPINDLE ASSEMBLY: GQ-783S



	FITS INDUSTRY HUB	MATERIAL DIAMETER	COMPLETE SPINDLE KIT	SPINDLE ONLY	FLAT WASHER	CASTLE NUT	COTTER PIN	SEAL DIAMETER
SPINDLE	783	2"	289511 GQ-783S	289510	913607	912952	905936	1.875"

www.norwest-mfg.com



6 on 6" AG  
HUBS & SPINDLES

# HUBS & SPINDLES

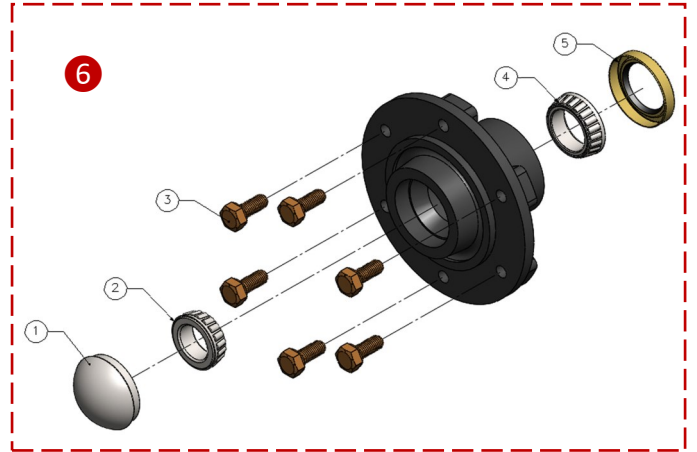
## 611 HUB & SPINDLE COMPLETE

### GA-611H ASSEMBLY

6 BOLT ON 6" BOLT CENTERS; 4.62" PILOT  
3600 LB. CAPACITY

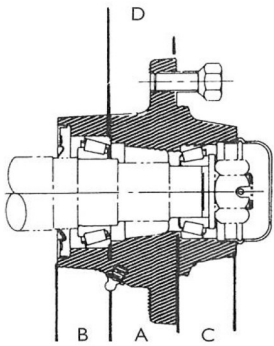
REF. #	NORWEST PART #	INDUSTRY STANDARD #	DESCRIPTION	REQ. PCS
1	909905	1604	DUST CAP	1
2	910259	LM67048	OUTER BEARING	1
3	943549	943549	LUG BOLTS	6
4	910275	LM29749	INNER BEARING	1
5	906295	17617	SEAL	1

**6 COMPLETE HUB ASSEMBLY: GA-611H**



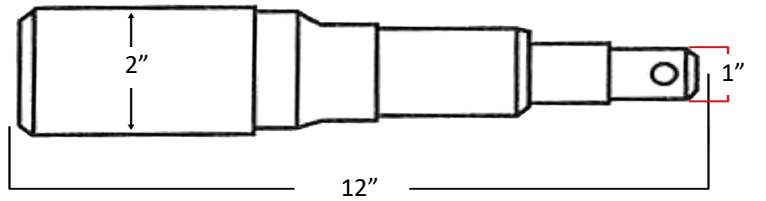
HUB	MODEL #	HUB COMPLETE	CAPACITY (LBS.)	HUB CUPS (RACES)	INNER CUP (RACE)	OUTER CUP (RACE)	INNER CONE (BEARING)	INNER BORE DIAMETER	OUTER CONE (BEARING)	OUTER BORE DIAMETER	HUB CAP	LUG NUT	SEAL
611	289030	GA-611H	3600	289031 (KIT)	LM29710 910274	LM67010 910257	LM29749 910275	1.50"	LM67048 910259	1.25"	1604 909905	943549	17617 906295

HUB CAPACITY BASED ON 1.12" POSITIVE OFFSET



HUB SPECS	
A	B
1.56"	1.00"
C	D
1.06"	1.62"

SPINDLE SPECS		
Thread Diameter	Threads per Inch	Overall Spindle Length
1"	14 (Fine Thread)	12"

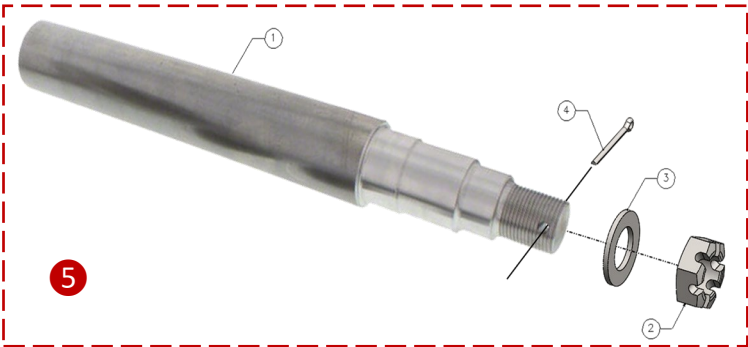


### GA-611S ASSEMBLY

MATERIAL DIAMETER: 1-3/4"; OVERALL LENGTH: 14"  
FITS **INDUSTRY HUB: 611**; FITS **NORWEST HUB: GA-611H**

REF. #	NORWEST PART #	INDUSTRY STANDARD #	DESCRIPTION	REQ. PCS
1	N/A	289530	SPINDLE	1
2	912959	912959	CASTLE NUT	1
3	913622	913622	FLAT WASHER	1
4	905940	905940	COTTER PIN	1

**5 COMPLETE SPINDLE ASSEMBLY: GA-611S**



	FITS INDUSTRY HUB	MATERIAL DIAMETER	COMPLETE SPINDLE KIT	SPINDLE ONLY	FLAT WASHER	CASTLE NUT	COTTER PIN	SEAL DIAMETER
SPINDLE	611 B	2"	289531 GA-611S	289530	913622	912959	905940	1.750"

www.norwest-mfg.com

3-Point Tools 200-407

8 on 8" AG  
HUBS & SPINDLES

# HUBS & SPINDLES

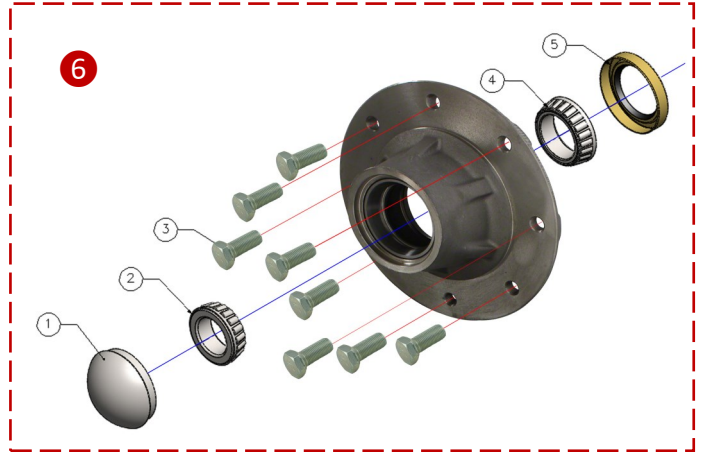
## 778 HUB & SPINDLE COMPLETE

### GQ-778H ASSEMBLY

8 BOLT ON 8" BOLT CENTERS; 6" PILOT  
4910 LB. CAPACITY

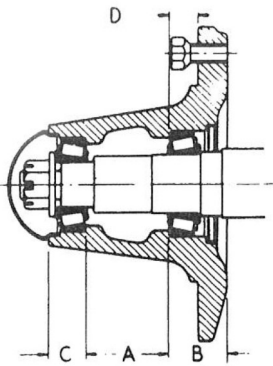
REF. #	NORWEST PART #	INDUSTRY STANDARD #	DESCRIPTION	REQ. PCS
1	909982	1531	DUST CAP	1
2	910268	25877	OUTER BEARING	1
3	913538	913538	LUG BOLTS	8
4	910267	25590	INNER BEARING	1
5	906285	20148	SEAL	1

6 COMPLETE HUB ASSEMBLY: GQ-778H



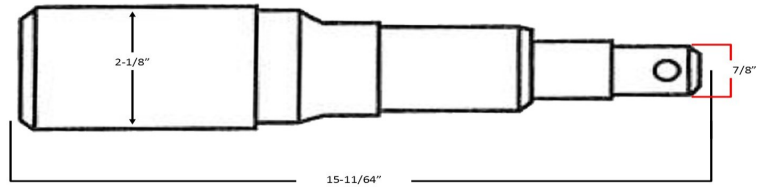
	MODEL #	HUB COMPLETE	CAPACITY (LBS.)	HUB CUPS (RACES)	INNER CUP (RACE)	OUTER CUP (RACE)	INNER CONE (BEARING)	INNER BORE DIAMETER	OUTER CONE (BEARING)	OUTER BORE DIAMETER	HUB CAP	LUG NUT	SEAL
HUB	778	280600 GQ-778H	4910	280601 (KIT)	25520 910265	25821 910266	25590 910267	1.79"	25877 910268	1.38"	1531 909982	913538	20148 906285

HUB CAPACITY BASED ON 1.50" POSITIVE OFFSET



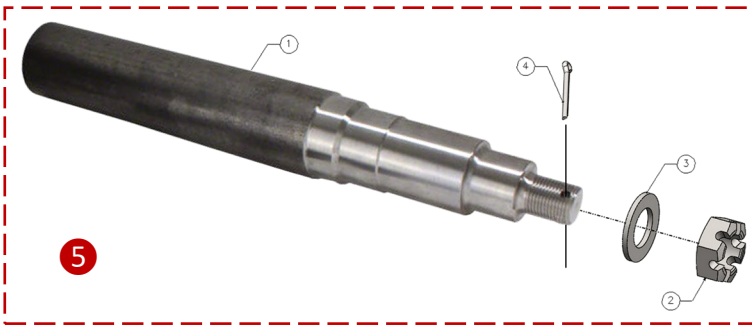
HUB SPECS	
A	B
2.50"	1.75"
C	D
1.12"	0.88"

SPINDLE SPECS		
Thread Diameter	Threads per Inch	Overall Spindle Length
7/8"	14 (Fine Thread)	15-11/64"



### GQ-778S ASSEMBLY

MATERIAL DIAMETER: 2-1/8"; OVERALL LENGTH: 15-11/64"  
FITS **INDUSTRY** HUB: 778; FITS **NORWEST** HUB: GQ-778H



REF. #	NORWEST PART #	INDUSTRY STANDARD #	DESCRIPTION	REQ. PCS
1	N/A	280731	SPINDLE	1
2	912952	912952	CASTLE NUT	1
3	913683	913683	FLAT WASHER	1
4	905936	905936	COTTER PIN	1

5 COMPLETE SPINDLE ASSEMBLY: GQ-778S

	FITS INDUSTRY HUB	MATERIAL DIAMETER	COMPLETE SPINDLE KIT	SPINDLE ONLY	FLAT WASHER	CASTLE NUT	COTTER PIN	SEAL DIAMETER
SPINDLE	778	2-1/8"	280744 GQ-778S	280731	913683	912952	905936	2.00"

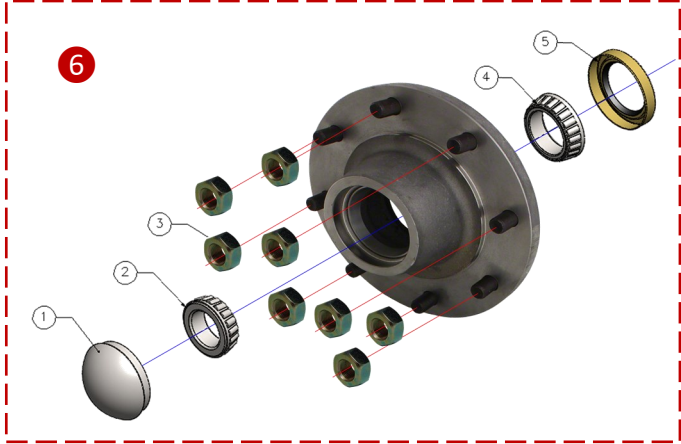
www.norwest-mfg.com



**8 on 8" AG  
HUBS & SPINDLES**

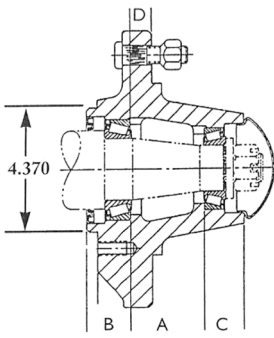
# HUBS & SPINDLES

## 608 HUB & SPINDLE COMPLETE



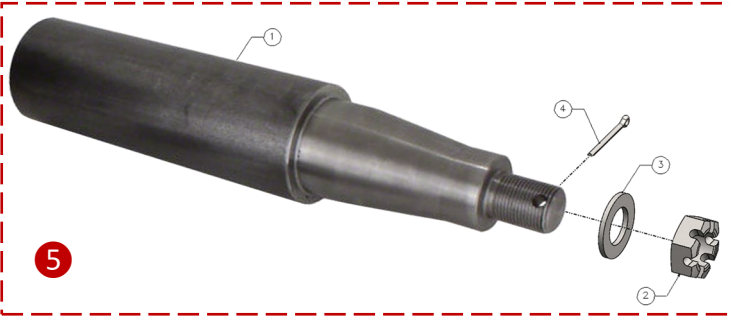
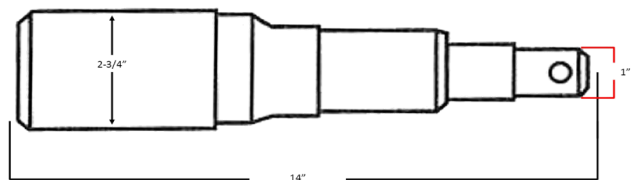
<b>GQ-608H ASSEMBLY</b>				
<b>8 BOLT ON 8" BOLT CENTERS; 6" PILOT 6000 LB. CAPACITY</b>				
REF. #	NORWEST PART #	INDUSTRY STANDARD #	DESCRIPTION	REQ. PCS
1	909912	1609	DUST CAP	1
2	910273	LM501349	OUTER BEARING	1
3	913557	913557	LUG NUTS	8
4	910293	JLM506848	INNER BEARING	1
5	906486	27394	SEAL	1
<b>6 COMPLETE HUB ASSEMBLY: GQ-608H</b>				

	MODEL #	HUB COMPLETE	CAPACITY (LBS.)	HUB CUPS (RACES)	INNER CUP (RACE)	OUTER CUP (RACE)	INNER CONE (BEARING)	INNER BORE DIAM.	OUTER CONE (BEARING)	OUTER BORE DIAM.	HUB CAP	LUG NUT	SEAL
<b>HUB</b>	60-8	281080 GQ-608H	6000	281089 (KIT)	JLM506810 910292	LM501310 910272	JLM506849 910293	2.16"	LM501349 910273	1.63"	1609 909912	913557	27394 906486
<b>HUB CAPACITY BASED ON .38" POSITIVE OFFSET</b>													



HUB SPECS	
A	B
2.56"	1.50"
C	D
1.37"	0.75"

SPINDLE SPECS		
Thread Diameter	Threads per Inch	Overall Spindle Length
1"	14 (Fine Thread)	14"



<b>GQ-608S ASSEMBLY</b>				
<b>MATERIAL DIAMETER: 2-3/4"; OVERALL LENGTH: 14" FITS <i>INDUSTRY</i> HUB: 60-8; FITS <i>NORWEST</i> HUB: GQ-608H</b>				
REF. #	NORWEST PART #	INDUSTRY STANDARD #	DESCRIPTION	REQ. PCS
1	N/A	281260	SPINDLE	1
2	912959	912959	CASTLE NUT	1
3	913624	913624	FLAT WASHER	1
4	905941	905941	COTTER PIN	1
<b>5 COMPLETE SPINDLE ASSEMBLY: GQ-608S</b>				

	FITS INDUSTRY HUB	MATERIAL DIAMETER	COMPLETE SPINDLE KIT	SPINDLE ONLY	FLAT WASHER	CASTLE NUT	COTTER PIN	SEAL DIAMETER
<b>SPINDLE</b>	60-8 / 60-8B	2-3/4"	281315 GA-608S	281260	913624	912959	905941	2.750"

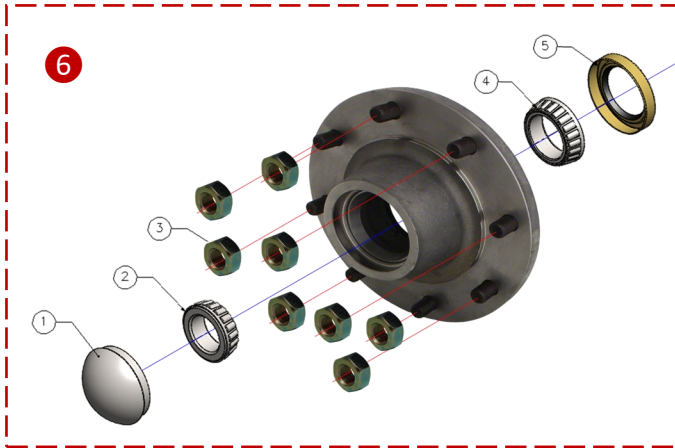
[www.norwest-mfg.com](http://www.norwest-mfg.com)

3-Point Tools 200-409

8 on 8" AG  
HUBS & SPINDLES

# HUBS & SPINDLES

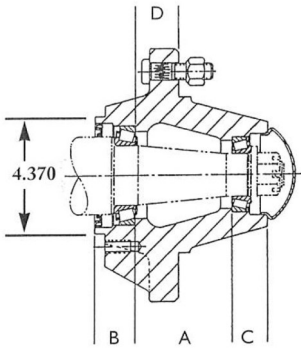
## 758 HUB & SPINDLE COMPLETE



<b>GQ-758H ASSEMBLY</b>				
<b>8 BOLT ON 8" BOLT CENTERS; 6" PILOT</b>				
<b>7500 LB. CAPACITY</b>				
REF. #	NORWEST PART #	INDUSTRY STANDARD #	DESCRIPTION	REQ. PCS
1	909912	1609	DUST CAP	1
2	910273	LM501349	OUTER BEARING	1
3	913557	913557	LUG NUTS	8
4	910359	387AS	INNER BEARING	1
5	946486	29968	SEAL	1
<b>6 COMPLETE HUB ASSEMBLY: GQ-758H</b>				

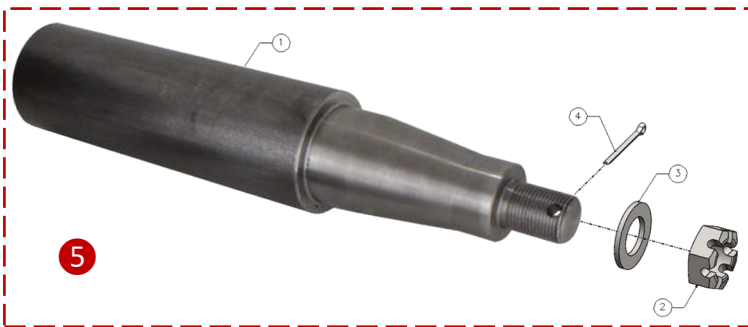
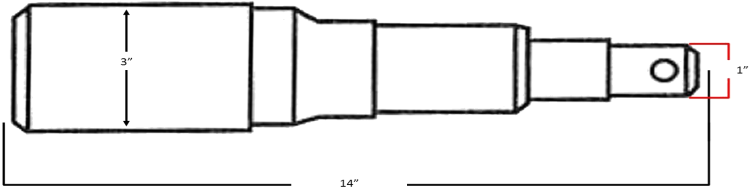
	MODEL #	HUB COMPLETE	CAPACITY (LBS.)	HUB CUPS (RACES)	INNER CUP (RACE)	OUTER CUP (RACE)	INNER CONE (BEARING)	INNER BORE DIAM.	OUTER CONE (BEARING)	OUTER BORE DIAM.	HUB CAP	LUG NUT	SEAL
<b>HUB</b>	<b>758</b>	<b>281180</b> GQ-758H	7500	<b>281189</b> (KIT)	<b>382A</b> 910358	<b>LM501310</b> 910272	<b>387AS</b> 910359	2.25"	<b>LM501349</b> 910273	1.63"	<b>1609</b> 909912	913557	<b>29968</b> 946486

HUB CAPACITY BASED ON .38" POSITIVE OFFSET



HUB SPECS	
A	B
3.77"	1.52"
C	D
1.39"	1.66"

SPINDLE SPECS		
Thread Diameter	Threads per Inch	Overall Spindle Length
1"	14 (Fine Thread)	14"



<b>GQ-758S ASSEMBLY</b>				
<b>MATERIAL DIAMETER: 3"; OVERALL LENGTH: 16"</b>				
<b>FITS INDUSTRY HUB: 75-8; FITS NORWEST HUB: GQ-758H</b>				
REF. #	NORWEST PART #	INDUSTRY STANDARD #	DESCRIPTION	REQ. PCS
1	N/A	281911	SPINDLE	1
2	912959	912959	CASTLE NUT	1
3	913624	913624	FLAT WASHER	1
4	905941	905941	COTTER PIN	1
<b>5 COMPLETE SPINDLE ASSEMBLY: GQ-758S</b>				

	FITS INDUSTRY HUB	MATERIAL DIAMETER	COMPLETE SPINDLE KIT	SPINDLE ONLY	FLAT WASHER	CASTLE NUT	COTTER PIN	SEAL DIAMETER
<b>SPINDLE</b>	<b>758</b>	3"	<b>281910</b> GQ-758S	281911	913624	912959	905941	3.00"

www.norwest-mfg.com

5 on 5-1/2" FORK HUBS & SPINDLES

# HUBS & SPINDLES

## G4-HUB & SPINDLE COMPLETE

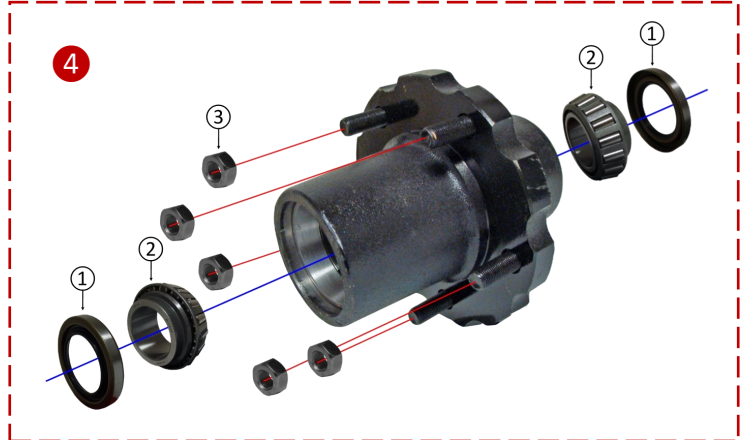
Fits: G4-10A, G4-10FB GAUGE WHEELS & G4V-10FB STABILIZER COULTER

### G4-HUB ASSEMBLY

5 BOLT ON 5.5" BOLT CENTERS; 4-1/8" PILOT  
2100 LB. CAPACITY (Fork Hub)

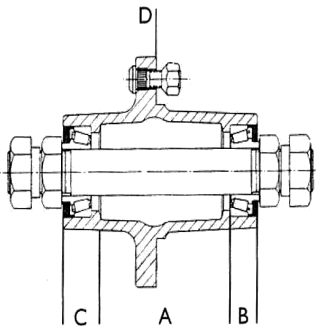
REF. #	NORWEST PART #	INDUSTRY STANDARD #	DESCRIPTION	REQ. PCS
1	906295	17617	INNER/OUTER SEAL	2
2	910270	14136A	INNER/OUTER BEARING	2
3	912919	912919	LUG NUTS	5

4 COMPLETE HUB ASSEMBLY: G4-HUB



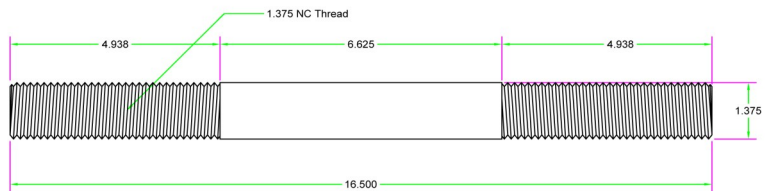
HUB	MODEL #	HUB COMPLETE	CAPACITY (LBS.)	HUB CUPS (RACES)	INNER CUP (RACE)	OUTER CUP (RACE)	INNER CONE (BEARING)	INNER BORE DIAMETER	OUTER CONE (BEARING)	OUTER BORE DIAMETER	HUB CAP	LUG NUT	SEAL
	21-5	281088 G4-HUB	2100	281078 (KIT)	14276 910290	14276 910290	14136A 910270	1.38"	14136A 910270	1.38"	N/A	912919	17617 906295

HUB CAPACITY BASED ON .25" NEGATIVE OFFSET



HUB SPECS	
A	B
2.36"	0.79"
C	D
0.84"	1.34"

SPINDLE SPECS		
Thread Diameter	Threads per Inch	Overall Spindle Length
1-3/8"	6 (Course Thread)	16-1/2"

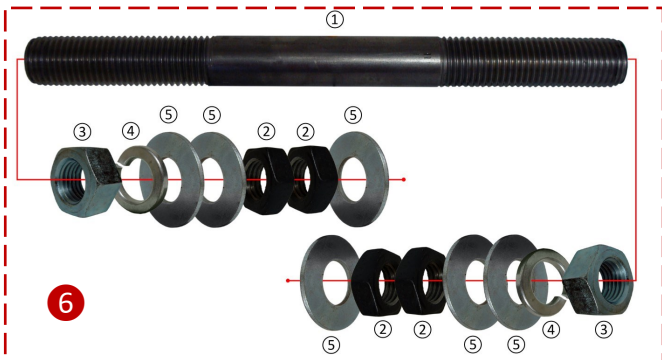


### G4-SPN ASSEMBLY

MATERIAL DIAMETER: 1-3/8"; OVERALL LENGTH: 16-1/2"  
FITS **INDUSTRY** HUB: 21-5; FITS **NORWEST** HUB: G4-HUB

REF. #	NORWEST PART #	INDUSTRY STANDARD #	DESCRIPTION	REQ. PCS
1	G4-SP1N	N/A	SPINDLE	1
2	FJN138	N/A	1-3/8" JAM NUT	4
3	FHN138	N/A	1-3/8" HEX NUT	2
4	FLW138	N/A	1-3/8" LOCK WASHER	2
5	FFW138	N/A	1-3/8" FLAT WASHER	6

6 COMPLETE SPINDLE ASSEMBLY: G4-SPN



	FITS INDUSTRY HUB	MATERIAL DIAMETER	COMPLETE SPINDLE KIT	SPINDLE ONLY	FLAT WASHER	LOCK WASHER	CASTLE NUT	HEX NUT	JAM NUT	COTTER PIN	SEAL DIAMETER
SPINDLE	21-5	1-3/8"	280768 G4-SPN	G4-SP1N	FFW138	FLW138	N/A	FHN138	FJN138	N/A	1.75"



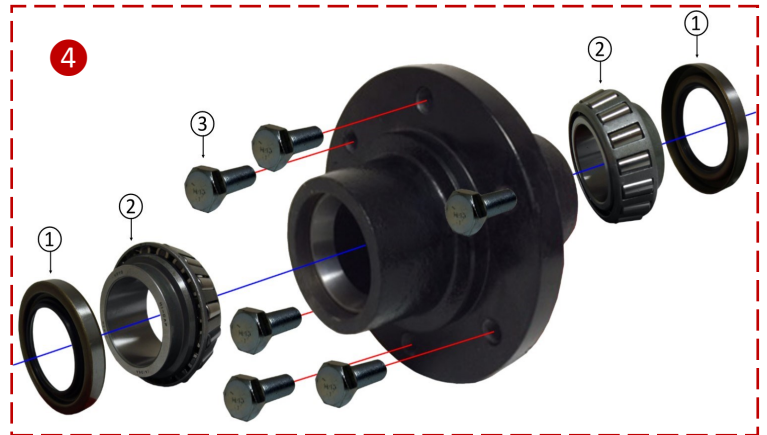
**6 on 6" FORK  
HUBS & SPINDLES**

# HUBS & SPINDLES

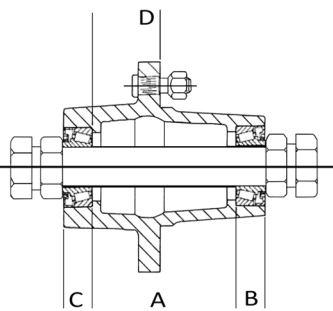
## 617 HUB & SPINDLE COMPLETE

Replaces Crazy Wheel on Lockwood Planters

<b>GQ-617H ASSEMBLY</b>				
6 BOLT ON 6" BOLT CENTERS; 4-11/16" PILOT 3500LB. CAPACITY (Fork Hub)				
REF. #	NORWEST PART #	INDUSTRY STANDARD #	DESCRIPTION	REQ. PCS
1	906301	19785	INNER/OUTER SEAL	2
2	910378	13685	INNER/OUTER BEARING	2
3	913555	913555	LUG BOLTS	6
<b>4 COMPLETE HUB ASSEMBLY: GQ-617H</b>				

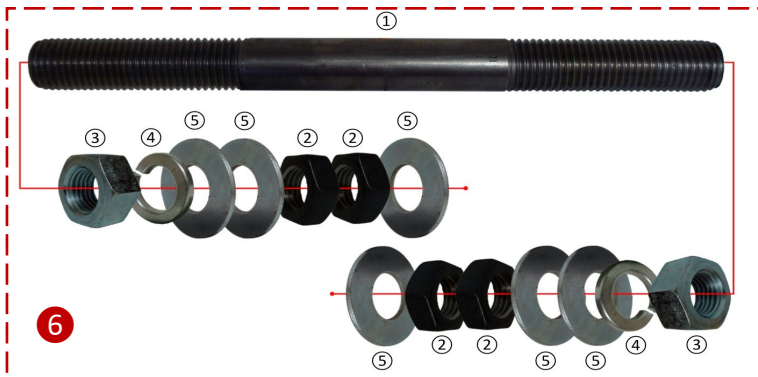
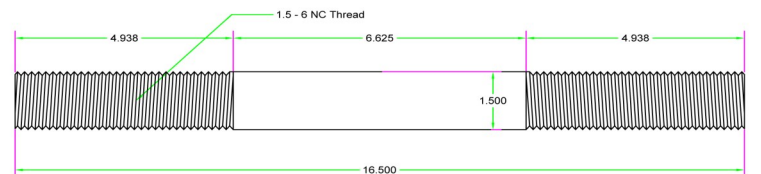


	MODEL #	HUB COMPLETE	CAPACITY (LBS.)	HUB CUPS (RACES)	INNER CUP (RACE)	OUTER CUP (RACE)	INNER CONE (BEARING)	INNER BORE DIAMETER	OUTER CONE (BEARING)	OUTER BORE DIAMETER	HUB CAP	LUG NUT	SEAL
<b>HUB</b>	617	281960 GQ-617H	3500	281950 (KIT)	13621 910377	13621 910377	13685 910378	1.50"	13685 910378	1.50"	N/A	913555	19785 906301
<b>HUB CAPACITY BASED ON 1.12" POSITIVE OFFSET</b>													



HUB SPECS	
A	B
5.00"	1.00"
C	D
1.00"	1.63"

SPINDLE SPECS		
Thread Diameter	Threads per Inch	Overall Spindle Length
1-1/2"	6 (Course Thread)	16-1/2"



<b>GQ-617SPN ASSEMBLY</b>				
MATERIAL DIAMETER: 1-1/2"; OVERALL LENGTH: 16-1/2"				
FITS <b>INDUSTRY</b> HUB: 617; FITS <b>NORWEST</b> HUB: GQ-617H				
REF. #	NORWEST PART #	INDUSTRY STANDARD #	DESCRIPTION	REQ. PCS
1	GQ-617S	287951	SPINDLE	1
2	FJN150	N/A	1-1/2" JAM NUT	4
3	FHN150	N/A	1-1/2" HEX NUT	2
4	FLW150	N/A	1-1/2" LOCK WASHER	2
5	FFW150	N/A	1-1/2" FLAT WASHER	6
<b>6 COMPLETE SPINDLE ASSEMBLY: GQ-617SPN</b>				

	FITS INDUSTRY HUB	MATERIAL DIAMETER	COMPLETE SPINDLE KIT	SPINDLE ONLY	FLAT WASHER	LOCK WASHER	CASTLE NUT	HEX NUT	JAM NUT	COTTER PIN	SEAL DIAMETER
<b>SPINDLE</b>	617/617S	1-1/2"	287950 GQ-617SPN	287951 GQ-617S	FFW112	FLW112	N/A	FHN112	FJN112	N/A	2.71"

www.norwest-mfg.com